



WELCOME



YOUR CONNECTIVITY PARTNER



H.T.P. S.R.L. IS A DYNAMIC COMPANY, ESTABLISHED IN 2003, OPERATING IN PNEUMATICS, HYDRAULICS AND INDUSTRIAL AUTOMATION.

H.T.P. S.R.L. PRODUCES A WIDE RANGE OF EN175301-803 CONNECTORS (FORMER DIN 43650 CONNECTORS) FOR SOLENOID VALVE, AS WELL AS M8, M12, M23, 7/8" CIRCULAR CONNECTORS, SUB-D CONNECTORS, PASSIVE DISTRIBUTION BOXES AND LATELY ALSO LED INDUSTRIAL LIGHTS.

THANKS TO ITS UNIQUE FLEXIBILITY H.T.P. S.R.L. IS ABLE TO FOLLOW CONSTANTLY THE EVOLUTION OF THE MARKET BY DEVELOPING NEW KEY PRODUCTS SUCH AS ENERGY-SAVING CONNECTORS, STRUCTURED CABLING SOLUTIONS AND SPLITTERS ALLOWING THE END CUSTOMER TO SAVE TIME IN TERMS OF WIRING AND TO PRODUCE THE MACHINES MORE QUICKLY THAN BEING MORE COMPETITIVE THAN ITS COMPETITORS.

H.T.P. S.R.L. BUILDS CUSTOM CONNECTORS (EVEN PERSONALIZED WITH CUSTOMER'S LOGO) THROUGH INNOVATIVE, UNIQUE, EFFECTIVE AND COST-SAVING TECHNICAL SOLUTIONS.

QUALITY, RELIABILITY AND FLEXIBILITY MAKE H.T.P. S.R.L. A PARTNER YOU CAN TRUST AND RELY ON.

H.T.P. S.R.L. HAS BEEN FOR MANY YEARS THE LEADER IN THE FOLLOWING MARKETS:

- PNEUMATICS.
- HYDRAULICS.
- PRODUCERS OF PRESSURE SWITCHES.

H.T.P.'S OWN PRODUCTIONS ARE LOCATED IN CHINA AND IN ITALY. THE ORGANIZATION OF THE PRODUCTION, CERTIFIED IN ACCORDANCE WITH ISO 9001, IS DONE ACCORDING TO CRITERIA THAT ENABLE THE ACHIEVEMENT OF A STANDARD OF QUALITY OF THE HIGHEST LEVEL.

QUALITY CONTROL OF EVERY SINGLE FINISHED PRODUCT IS PERFORMED TWICE, IN ORDER TO GUARANTEE OUR CUSTOMERS ABSOLUTE QUALITY.

SINCE H.T.P. S.R.L. ALSO HAS A DEPARTMENT FOR THE PRODUCTION OF MOULDS, IT HAS THE ABILITY TO OFFER ITS CUSTOMERS: FLEXIBILITY, COMPETENCE AND QUALITY ALSO IN THE DEVELOPMENT OF CUSTOM PRODUCTS IN A VERY SHORT TIME.

ZERTIFIKAT ◆ CERTIFICATE ◆ 認證證書 ◆ CERTIFICADO ◆ CERTIFICAT



CERTIFICATO

Nr. 50 100 10684 - Rev.003
Si attesta che / This is to certify that

IL SISTEMA QUALITÀ DI
THE QUALITY SYSTEM OF



H.T.P. HIGH TECH PRODUCTS S.r.l.

SEDE LEGALE
REGISTERED OFFICE:
VIA GIACOMO QUARENGHI 11
I-24122 BERGAMO (BG)

SEDE OPERATIVA
OPERATIONAL SITE:
VIA LESINA 45
I-24030 BREMBATE DI SOPRA (BG)

E CONFORME AI REQUISITI DELLA NORMA
HAS BEEN FOUND TO COMPLY WITH THE REQUIREMENTS OF

UNI EN ISO 9001:2015

QUESTO CERTIFICATO È VALIDO PER IL SEGUENTE CAMPO DI APPLICAZIONE
THIS CERTIFICATE IS VALID FOR THE FOLLOWING SCOPE

Commercializzazione di connettori, sensori e prolunghes per automazione (IAF 29, 19)
Trade of industrial connectors, sensor switches and extensions for automation (IAF 29, 19)

ACCREDIA
SGQ N° 049A

Per l'Organismo di Certificazione
For the Certification Body
TUV Italia S.r.l.

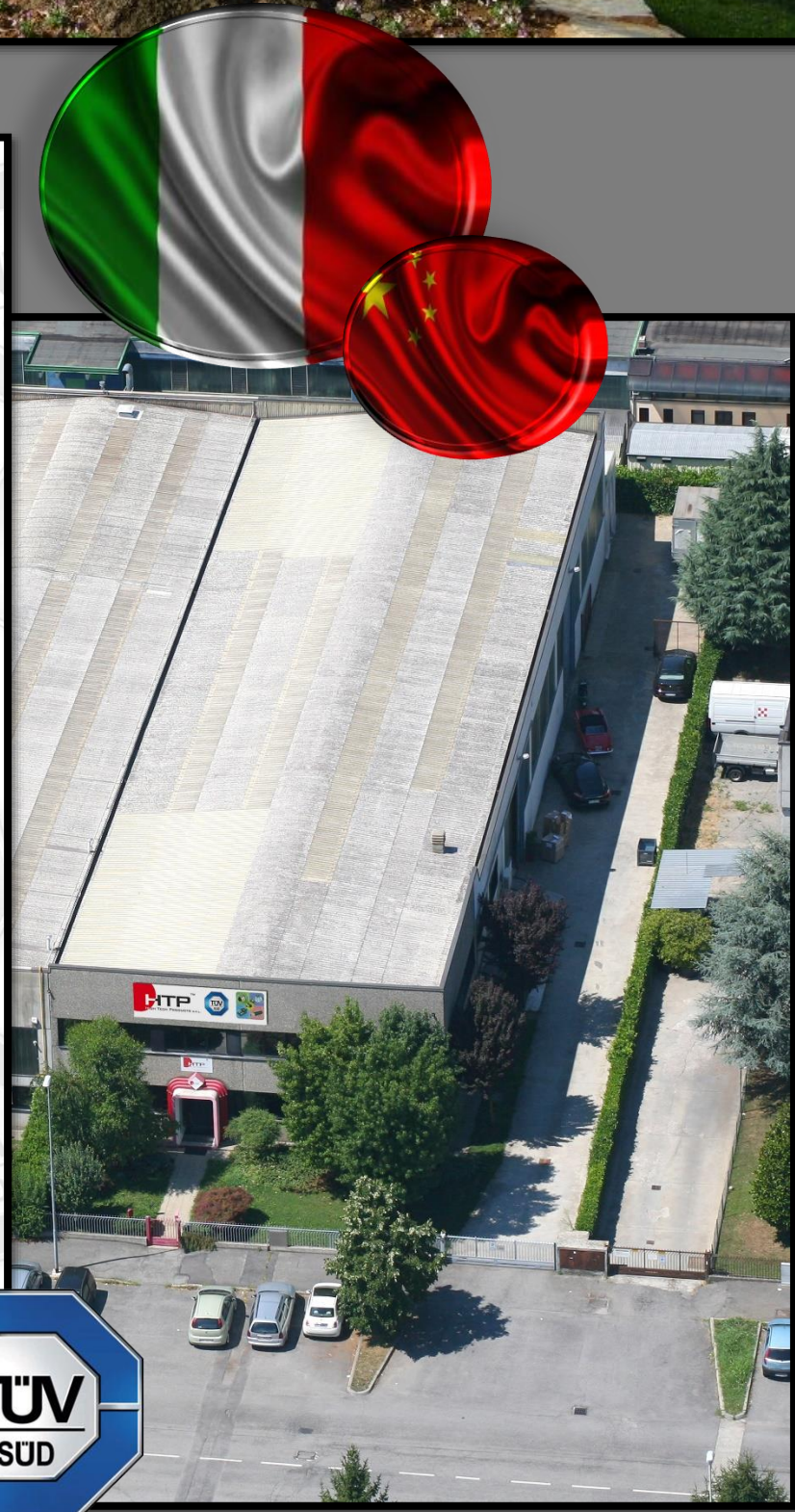
Validità / Validity
Dal / From: 2020-10-21
Al / To: 2023-10-20

Data emissione / Issuing Date
2020-08-31

PRIMA CERTIFICAZIONE / FIRST CERTIFICATION: 2011-10-21

LA VALIDITÀ DEL PRESENTE CERTIFICATO È SUBORDINATA A SORVEGLIANZA PERIODICA A 12 MESI E AL RIESAME COMPLETO DEL SISTEMA GESTIONE AZIENDALE CON PERIODICITÀ TRIENNALE.
THE VALIDITY OF THE PRESENT CERTIFICATE DEPENDS ON THE ANNUAL SURVEILLANCE EVERY 12 MONTHS AND ON THE COMPLETE REVIEW COMPANY'S MANAGEMENT SYSTEM AFTER THREE-YEARS.

TUV Italia S.r.l. • Gruppo TÜV SÜD • Via Carducci 125, Pal. 23 • 20099 Sesto San Giovanni (MI) • Italia • www.tuv.it



CERTIFICATO Nr. 50 100 10684 - Rev.003



H.T.P. PAGE ON:
"DIRECT INDUSTRY"

H.T.P. WEBSITE

H.T.P. CONNECTIVITY
WEBSITE

ITALIAN FACTORY

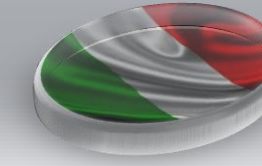
• **TRAVERSETOLO,
(PR), ITALY.**



HEADQUARTERS

• **BREMBATE DI SOPRA,
BERGAMO, ITALY.**

**STOCK OF 8 MILLION
PCS.**



BRANCHES

- **ROCKAWAY, NJ, USA.**
- **MOSCOW, RUSSIA.**
- **OSAKA, JAPAN**

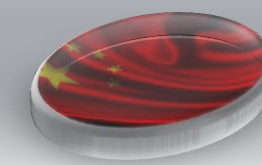
STOCK AVAILABLE.



CHINESE FACTORY

• **DONGGUAN, CHINA.**

STOCK AVAILABLE.



UL CERTIFICATES COMPLIANCE



US = UNITED STATES REQUIREMENTS

= RECOGNIZED PRODUCTS

C = CANADIAN REQUIREMENTS

DIN VALVE CONNECTORS FIELD ATTACHABLE & BASES

CERTIFICATE OF COMPLIANCE

CERTIFICATE N° E333724

COMPONENT-CONNECTORS FOR USE DATA, SIGNAL, CONTROL AND POWER APPLICATIONS

USR, CNR COMPONENT CONNECTOR, SERIES G1, G2, G1F AND HEADER BG.

COMPONENT CONNECTOR, SERIES CAT. NOS. P1 AND P2 AND HEADER SERIES CAT. NOS. BP1 AND BP2.

USR, CNR COMPONENT CONNECTOR, SERIES M1&M2 AND HEADER BM.

STANDARD(S) FOR SAFETY:

COMPONENT CONNECTORS FOR USE IN DATA, SIGNAL, CONTROL AND POWER APPLICATIONS, UL 1977 AND CAN/CSA C22.2 No. 182.3-M1987



US = UNITED STATES REQUIREMENTS

= LISTED PRODUCTS

C = CANADIAN REQUIREMENTS

M8 CIRCULAR CONNECTORS WITH MOULDED CABLE

CERTIFICATE OF COMPLIANCE

CERTIFICATE N° E464987

CABLE ASSEMBLIES AND FITTINGS FOR INDUSTRIAL CONTROL AND SIGNAL DISTRIBUTION

FEMALE AND MALE CABLE FITTINGS (ONE-SIDE MOLDED-ON MODELS).

SERIES M8, CAT. NOS. 08 FOLLOWED BY F OR M, FOLLOWED BY A OR D FOLLOWED BY 3 OR 4, FOLLOWED BY XXX (WHERE X CAN BE ALPHANUMERIC CHARACTER), FOLLOWED BY -K6, FOLLOWED BY -UL, -HN-UL OR -IN-UL.

STANDARD(S) FOR SAFETY:

UL 2238 STANDARD FOR CABLE ASSEMBLIES AND FITTINGS FOR INDUSTRIAL CONTROL AND SIGNAL DISTRIBUTION CSA C22.2 No. 182.3-M1987 SPECIAL USE ATTACHMENT PLUGS, RECEPTACLES AND CONNECTORS.

M12 CIRCULAR CONNECTORS WITH MOULDED CABLE

CERTIFICATE OF COMPLIANCE

CERTIFICATE N° E464987

CABLE ASSEMBLIES AND FITTINGS FOR INDUSTRIAL CONTROL AND SIGNAL DISTRIBUTION

FEMALE AND MALE CABLE FITTINGS, SERIES M12, CAT. NOS. 12 OR A12 OR B12 OR D12 OR S12 FOLLOWED BY F OR M, FOLLOWED BY A OR D OR J OR V, FOLLOWED BY 2 OR 3 OR 4 OR 5 OR 6 OR 7 OR 8, MAY BE FOLLOWED BY K6, MAY BE FOLLOWED BY -HN OR -IN, FOLLOWED BY UL, MAY BE FOLLOWED BY XXX (WHERE X CAN BE ANY ALPHANUMERIC CHARACTER).

CABLE ASSEMBLY, SERIES M12, CAT. NOS. 12 OR A12 OR B12 OR D12 OR S12 FOLLOWED BY F OR M, FOLLOWED BY A OR D OR J OR V, FOLLOWED BY 2 OR 3 OR 4 OR 5 OR 6 OR 7 OR 8, FOLLOWED BY XXX (WHERE X CAN BE ANY ALPHANUMERIC CHARACTER), MAY BE FOLLOWED BY K6, FOLLOWED BY 12FA, OR 12FD OR 12FJ OR 12FV OR 12MA, OR 12MD OR 12MJ OR 12MV,

MAY BE FOLLOWED BY -HN OR -IN, FOLLOWED BY UL.

OUTLET, SERIES M12, CAT. NOS. S12 FOLLOWED BY F, FOLLOWED BY P OR R, FOLLOWED BY 2 OR 3 OR 4, FOLLOWED BY XXX, FOLLOWED BY PG9 OR M16. FOLLOWED BY UL, MAY BE FOLLOWED BY XXX (WHERE X CAN BE ANY ALPHANUMERIC CHARACTER).

STANDARD(S) FOR SAFETY:

UL 2238 STANDARD FOR CABLE ASSEMBLIES AND FITTINGS FOR INDUSTRIAL CONTROL AND SIGNAL DISTRIBUTION CSA C22.2 No. 182.3-M1987 SPECIAL USE ATTACHMENT PLUGS, RECEPTACLES AND CONNECTORS.

ATEX 94/9/CE APPROVED


ATEX MARKING

DIN VALVE CONNECTORS FIELD ATTACHABLE

M12 CIRCULAR CONNECTORS FIELD ATTACHABLE

M8 CIRCULAR CONNECTORS FIELD ATTACHABLE

DIN VALVE CONNECTORS FIELD ATTACHABLE:

CE₀₉₄₈  II $\frac{2G}{2D}$ Ex $\frac{eb}{tb}$ IIC T5 Gb IP65/67
IIC T100°C Db

M12 CIRCULAR CONNECTORS FIELD ATTACHABLE:

CE₀₉₄₈  II $\frac{2G}{2D}$ Ex $\frac{eb}{tb}$ IIC T5 Gb IP65/67
IIC T100°C Db

M8 CIRCULAR CONNECTORS FIELD ATTACHABLE:

CE₀₉₄₈  II 2G Ex eb IIC T5 Gb IP55/57



CONNECTOR'S TYPE

CE₀₉₄₈  II 2G EX EB IIC T5 GB ; II 2D EX TB IIC T100°C DB IP65/67

CE₀₉₄₈  II 2G EX EB IIC T5 GB ; II 2D EX TB IIC T100°C DB IP65/67

CE₀₉₄₈  II 2G EX EB IIC T5 GB IP55/57

GUIDE TO THE ATEX WORLD:

CE Marking

0948: Notified body.

ATEX Marking

II = used in all other Ex environments.

2G = equipment suitable for areas where, during normal activities, explosive atmospheres due to gas, vapors or mists (zone 1) may occur; suitable to be installed in zone 1.

2D = equipment suitable for areas where, during normal activities, explosive atmospheres due to a mixture of air and flammable dusts (zone 21) and that has inside a bonded device that will be connected to a category 1 equipment; suitable to be installed in zone 21.

EQUIPMENT CATEGORY: 2

GAS ZONE(G): 1

DUST ZONE(D): 21

eb = "eb" increased safety equipment.

tb = equipment with an enclosure that prevents dust ingress and with devices to limit surface temperatures; protection level "b".

IIC = equipment not addressed to underground work in mines or their surface plants which could be exposed to risk of explosive atmospheres - subgroup of C gas; suitable to be installed in presence of any gas (subgroups A, B and C).

IIC = equipment not addressed to underground work in mines or their surface plants which could be exposed to risk of explosive atmospheres -subgroup of C dusts; suitable to be installed in presence Of any dust(subgroups A, B and C).

T5 = equipment that can reach, but not exceed 100°C of absolute temperature.

T...°C = equipment that can reach, but not exceed in surface ... °C of absolute temperature.

Gb = equivalent to 2G category.

Db = equivalent to 2D category.

IP protection type

M8/M9/M12/M23 CIRCULAR CONNECTORS

M8 CONNECTORS



TO SOLDER CONTACTS



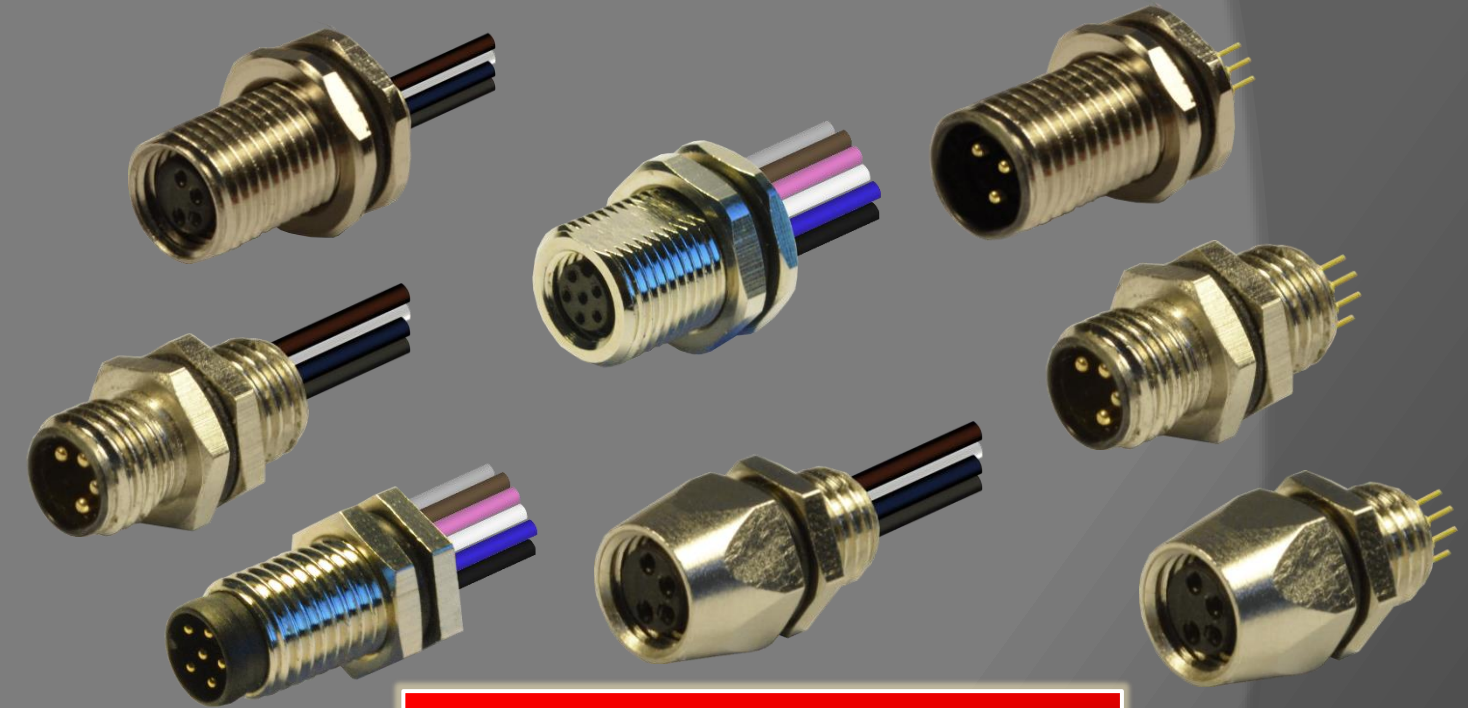
TO SCREW CONTACTS



METAL HOUSING TOTALLY SHIELDED



WITH MOULDED CABLE



TO PANEL CONNECTORS



M8 SNAP

**Also available with stainless steel nut*



A-CODING

- 4, 5, 8, 12 POLES VERSIONS
- MALE AND FEMALE
- RATED VOLTAGE: 250V AC/DC (4P.) / 60V AC/DC (5P.) / 30V AC/DC (8P./12P)
- RATED CURRENT: 4A (4P.;5P.) / 2A (8P.) / 1,5A (12P.)
- STRAIGHT AND RIGHT ANGLE
- FIELD ATTACHABLE, MOULDED CABLE, TO PANEL VERSIONS.

A-CODING



FIELD ATTACHABLE



WITH MOULDED CABLE

TO PANEL CONNECTORS

NOTE:

ALL THE CONNECTOR CODING CAN BE USED IN I/O (INPUT/OUTPUT) NETWORKS TO PREVENT CONNECTION MISTAKES USING DIFFERENT COUPLING KEYS OR TO BE USED IN MANY APPLICATIONS WHEN THE CONNECTORS GET COUPLING WITH A DIFFERENT CABLES.



B-CODING

B-CODING

- 5POLES VERSION
- MALE AND FEMALE
- RATED VOLTAGE: 60V AC/DC
- RATED : 4A
- STRAIGHT AND RIGHT ANGLE
- FIELD ATTACHABLE, MOULDED CABLE, TO PANEL VERSIOCURRENTNS.



FIELD ATTACHABLE



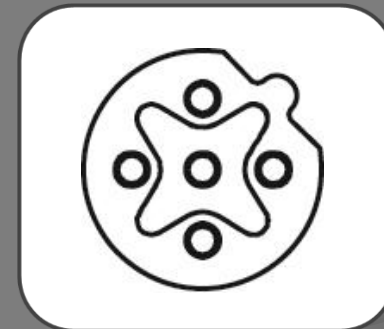
WITH MOULDED CABLE



TERMINAL CONNECTORS



TO PANEL CONNECTORS



NOTE:

ALL THE CONNECTOR CODING CAN BE USED IN I/O (INPUT/OUTPUT) NETWORKS TO PREVENT CONNECTION MISTAKES USING DIFFERENT COUPLING KEYS OR TO BE USED IN MANY APPLICATIONS WHEN THE CONNECTORS GET COUPLING WITH A DIFFERENT CABLES.



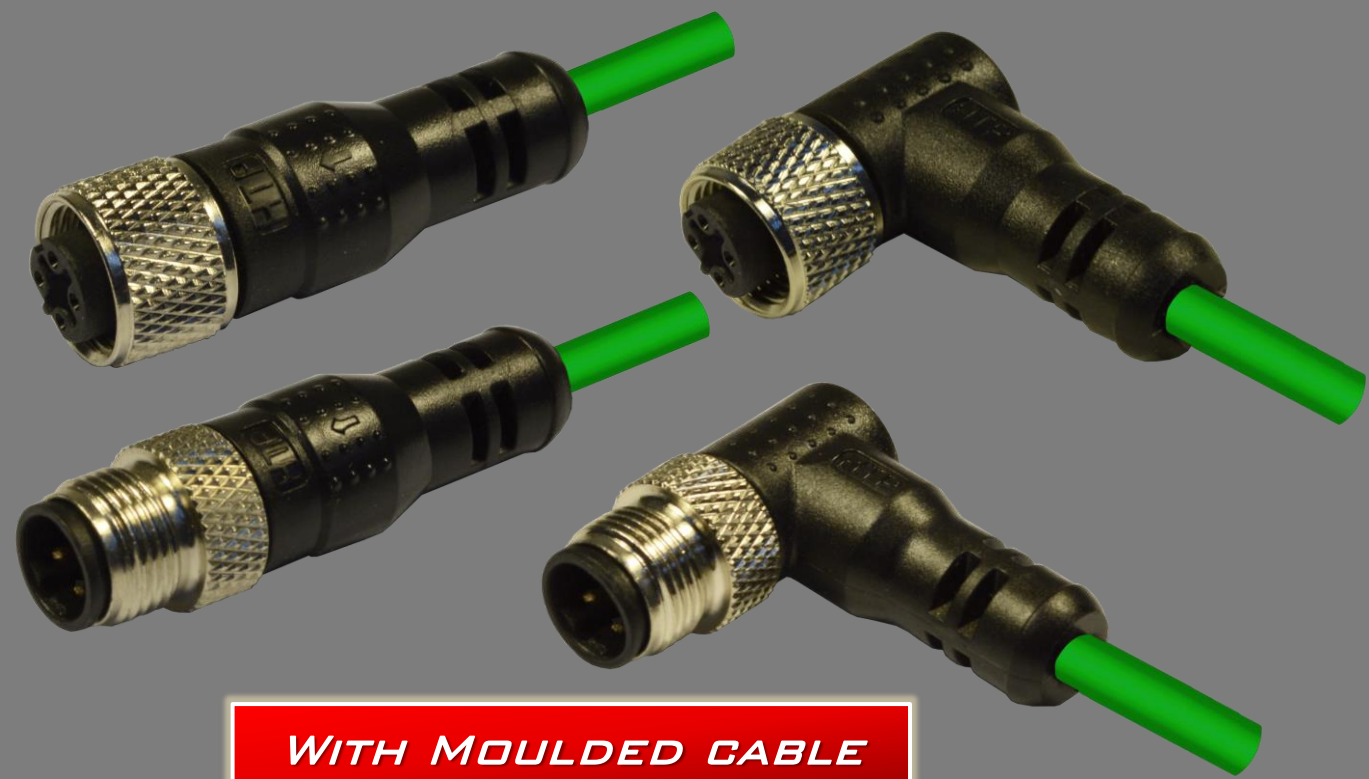
D-CODING

- 4POLES VERSION
- MALE AND FEMALE
- SCREW TERMINALS: 4 POLES
- RATED VOLTAGE: 250V AC/DC
- RATED CURRENT: 4A
- STRAIGHT AND RIGHT ANGLE
- FIELD ATTACHABLE, MOULDED CABLE, TO PANEL VERSIONS.

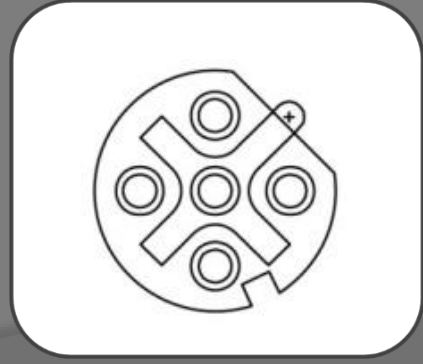
D-CODING



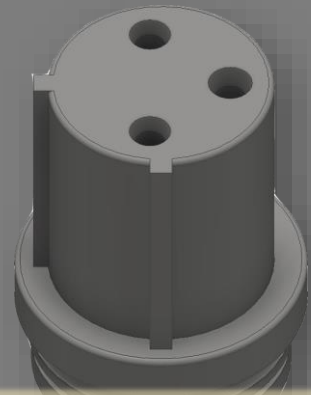
FIELD ATTACHABLE



WITH MOULDED CABLE



TO PANEL CONNECTORS



G-CODING

- 3POLES VERSION
- MALE AND FEMALE
- RATED VOLTAGE: 60V AC/DC
- RATED : 4A
- STRAIGHT AND RIGHT ANGLE
- MOULDED CABLE, TO PANEL VERSIONS.

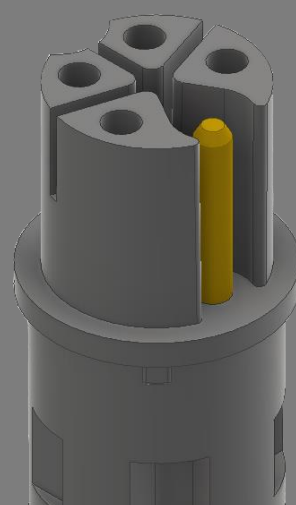
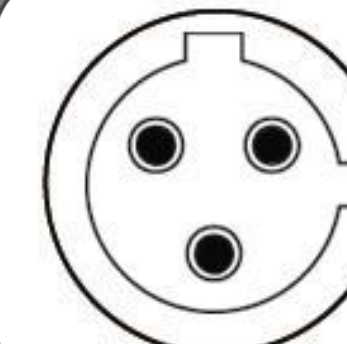
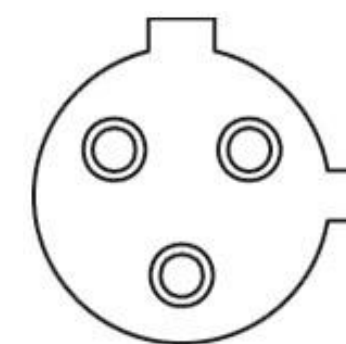
G-CODING



WITH MOULDED CABLE



TO PANEL CONNECTORS



K-CODING

- 5 POLES(4POLES+P.E.) VERSION
- MALE AND FEMALE
- RATED VOLTAGE: 600V AC
- RATED CURRENT: 12A
- STRAIGHT WITH MOULDED CABLE
- MOULDED CABLE AND TO PANEL VERSIONS

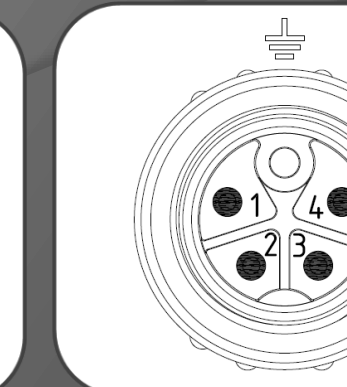
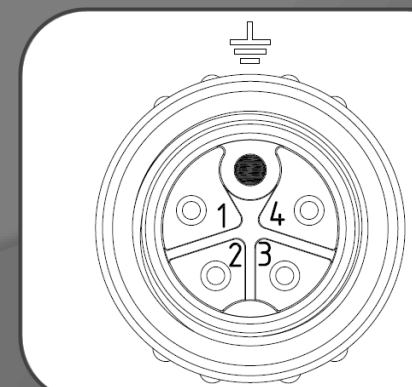
K-CODING

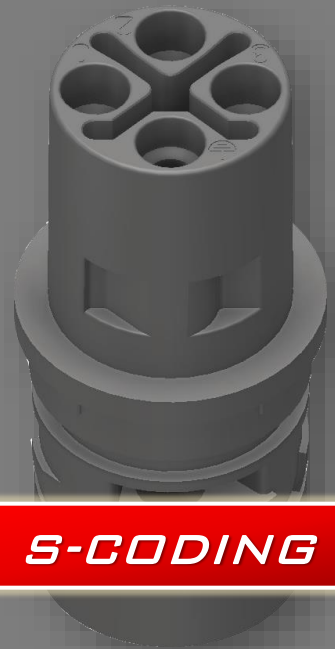


WITH MOULDED CABLE



TO PANEL CONNECTORS





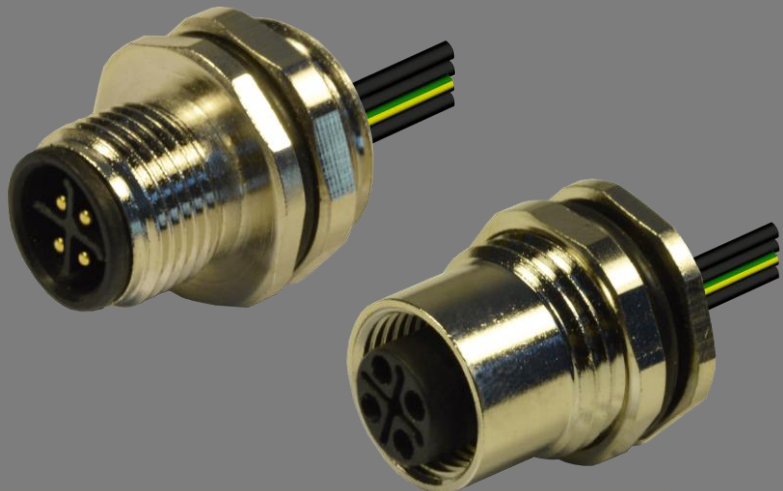
S-CODING

- 4 POLES (3 POLES + P.E.) VERSION
- MALE AND FEMALE
- RATED VOLTAGE: 630V AC/DC
- RATED CURRENT: 12A
- STRAIGHT WITH MOULDED CABLE
- MOULDED CABLE AND TO PANEL VERSIONS

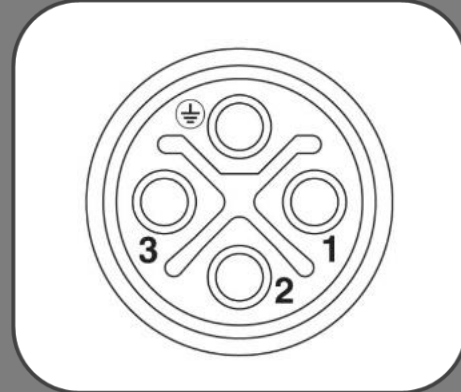
S-CODING



WITH MOULDED CABLE



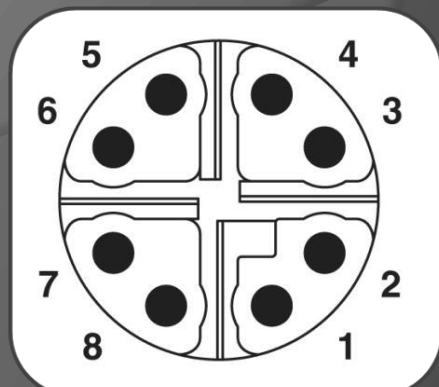
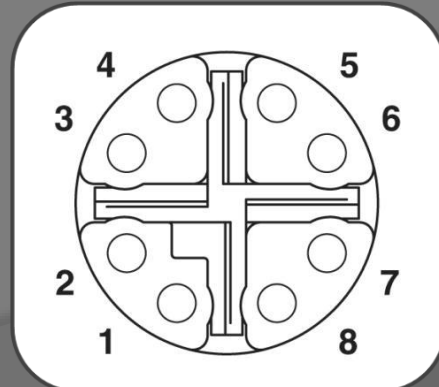
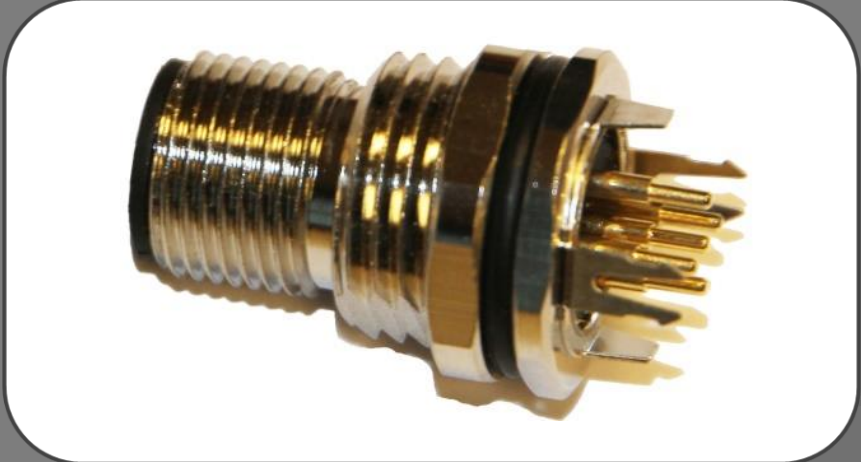
TO PANEL CONNECTORS



X-CODING

- 8 POLES VERSION
- MALE AND FEMALE
- RATED VOLTAGE: 48V AC/DC
- RATED : 0,5A
- STRAIGHT WITH MOULDED CABLE
- MOULDED CABLE AND TO PANEL VERSIONS

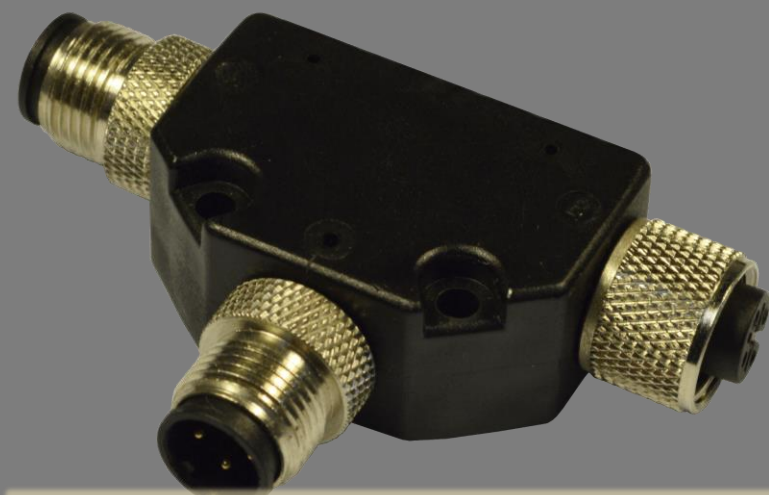
X-CODING



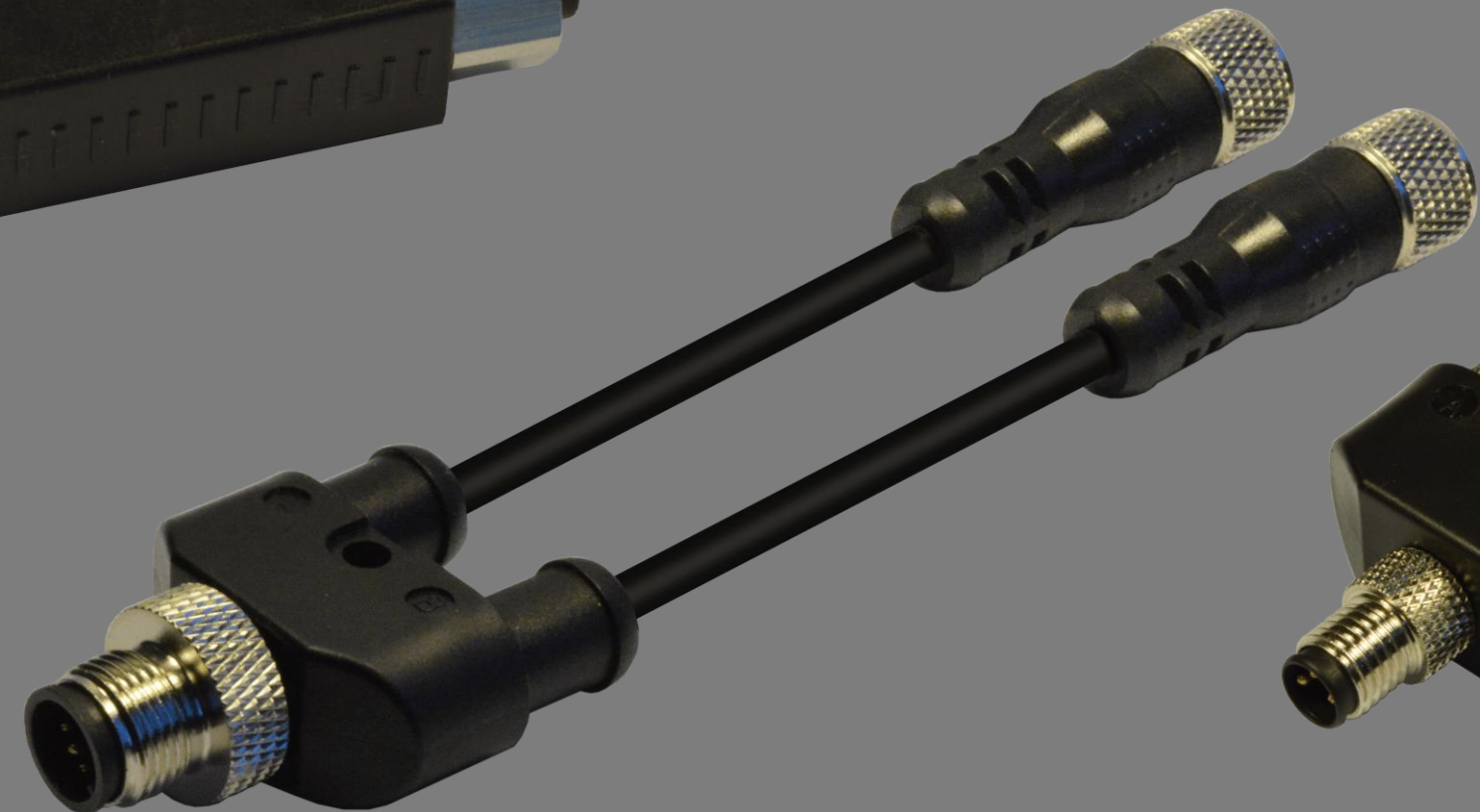
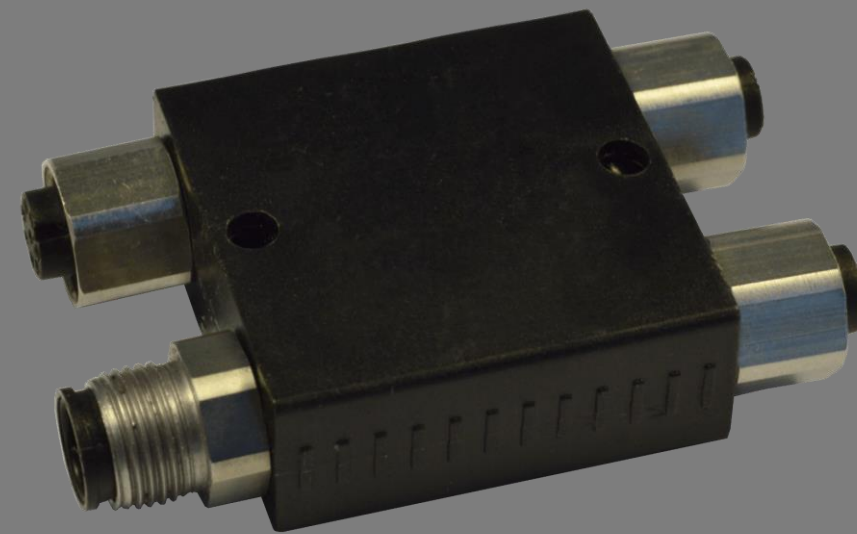
*Also available with stainless steel nut

M8/M9/M12/M23 CIRCULAR CONNECTORS

M12-M8 T AND Y-SPLITTER CONNECTOR



M12 T CONNECTORS, 360°
TOTALLY SHIELDED



ADAPTERS




*Also available with stainless steel nut

M8-M12 CIRCULAR CONNECTORS FIELD ATTACHABLE

ATEX 94/9/CE APPROVED

M12 CIRCULAR CONNECTORS FIELD ATTACHABLE:

CE 0948  II 2G Ex eb IIC T5 Gb IP65/67
2D tb IIIC T100°C Db

M8 CIRCULAR CONNECTORS FIELD ATTACHABLE:

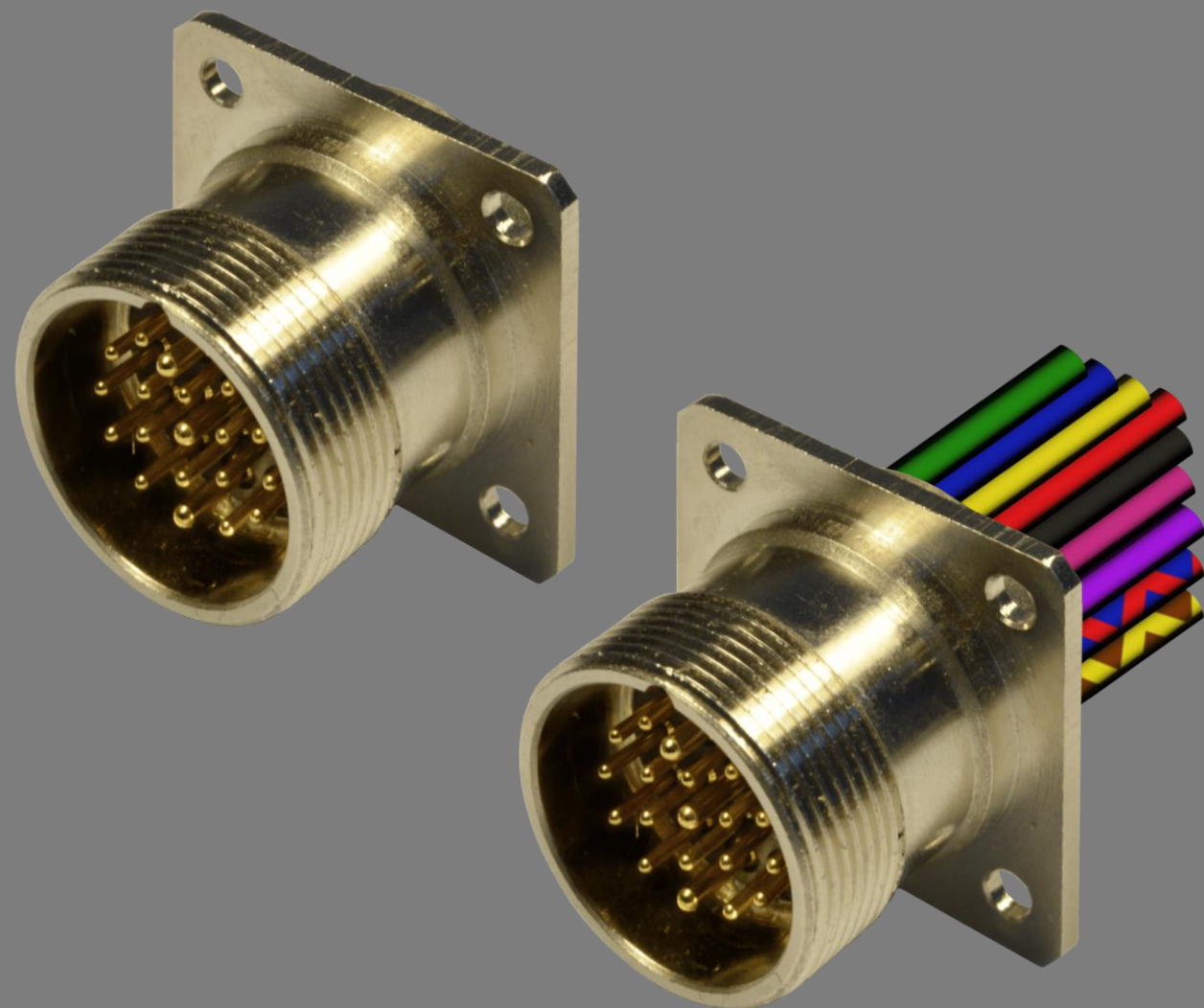
CE 0948  II 2G Ex eb IIC T5 Gb IP55/57



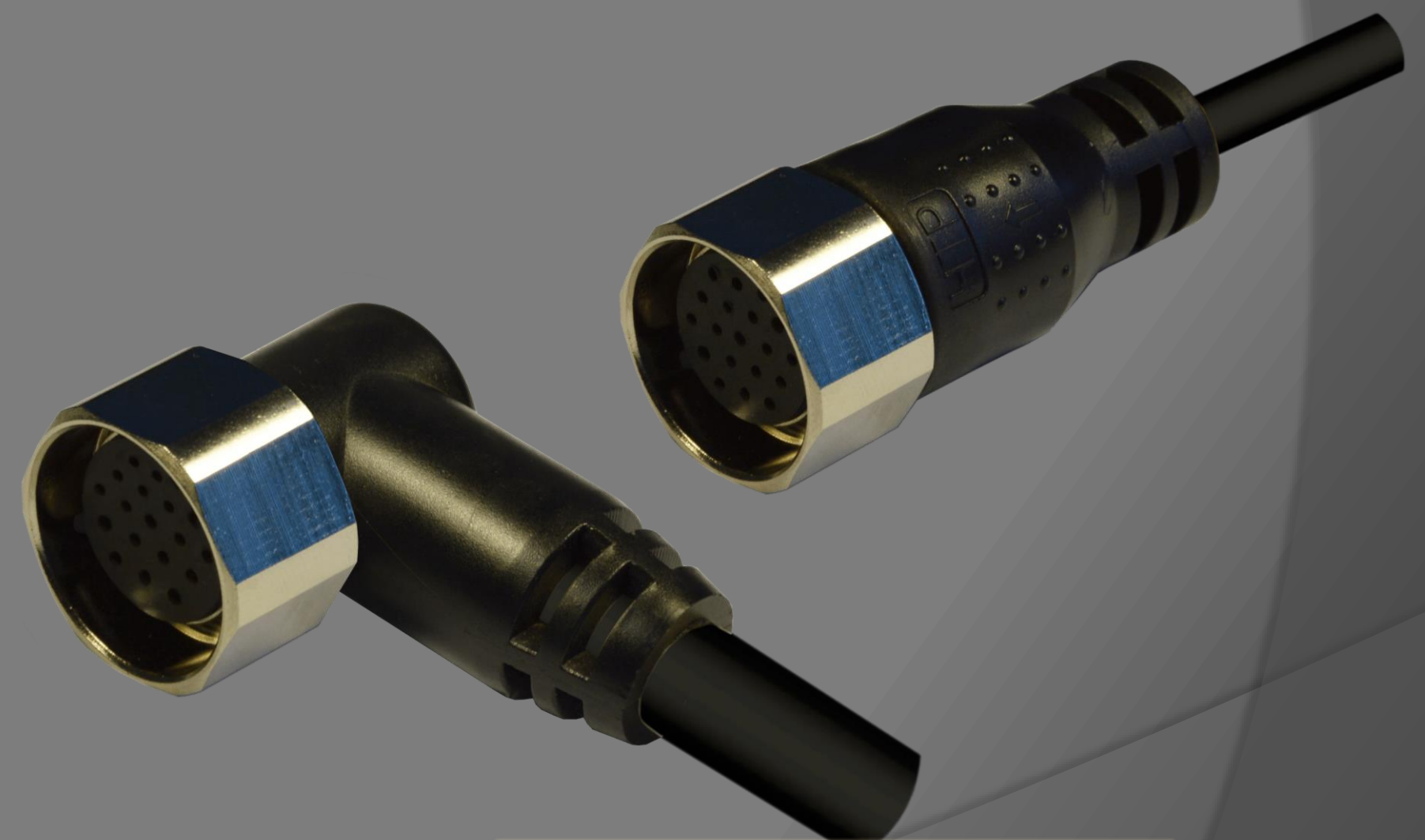
M8/M9/M12/M23 CIRCULAR CONNECTORS

M23 PANEL MOUNTING AND MOULDED CABLE

- 19 POLES
- MALE AND FEMALE
- FEMALE STRAIGHT /90° WITH MOULDED CABLE
- MALE PANEL MOUNTING
- CONDUCTOR SIZE: POWER WIRE 0,75MM²/ SIGNAL WIRES 0,22 MM²
- RATED VOLTAGE: 150V AC/DC
- RATED CURRENT: 10A(POWER CONTACTS) / 8A (SIGNAL CONTACTS)



PANEL MOUNTING (MALE)



MOULDED CABLE (FEMALE)

EN 175301-803 CONNECTORS (EX DIN 43650)

EN175301-803-A/ISO 4400 (EX DIN43650 /A) SQUARE CONNECTORS

G1 SERIES = 18MM CONTACTS SPACING



G1 C SERIES
G1 CONECTOR WITH COVER

G4 SERIES
HOUSING : 46,4MM

**EN 175301-803 CONNECTORS
(EX DIN 43650)**

INDUSTRIAL-B RECTANGULAR CONNECTORS

M1 SERIES / CM1 SERIES = 11MM CONTACTS SPACING

EN175301-803 RECTANGULAR CONNECTORS

M2 SERIES / CM2 SERIES = 10MM CONTACTS SPACING



EN 175301-803 CONNECTORS (EX DIN 43650)

EN175301-803 SQUARE MICRO CONNECTORS

P1 SERIES / CP1 SERIES = 8MM CONTACTS SPACING

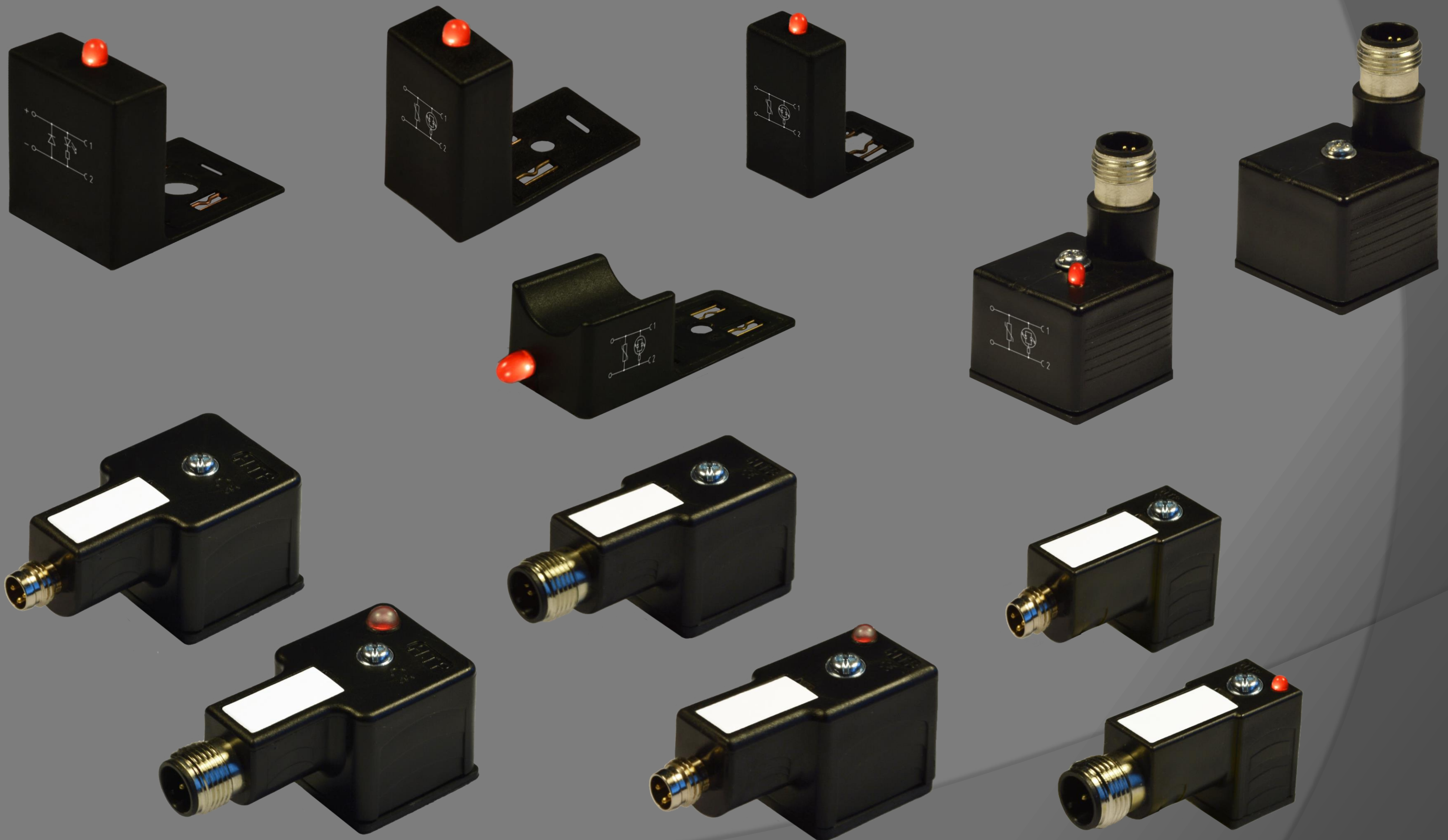
INDUSTRIAL SQUARE MICRO CONNECTORS

P2 SERIES / CP2 SERIES = 9,4MM CONTACTS SPACING



EN 175301-803 CONNECTORS (EX DIN 43650)

ADAPTERS



EN 175301-803 CONNECTORS (EX DIN 43650)

BASES

BASES FOR DIN 43650

- MALE DIN43650 CONNECTORS
- RATED VOLATAGE: 250V AC/ 300V DC
- RATED CURRENT: 10A / 6A



BG7



BG1



BG5



BG4



BG0



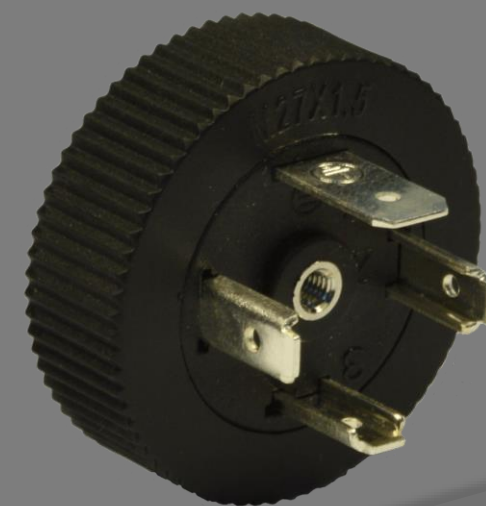
BP1
(11MM)



BP2
(9,4MM)



BP3
(9,4MM)



BGR

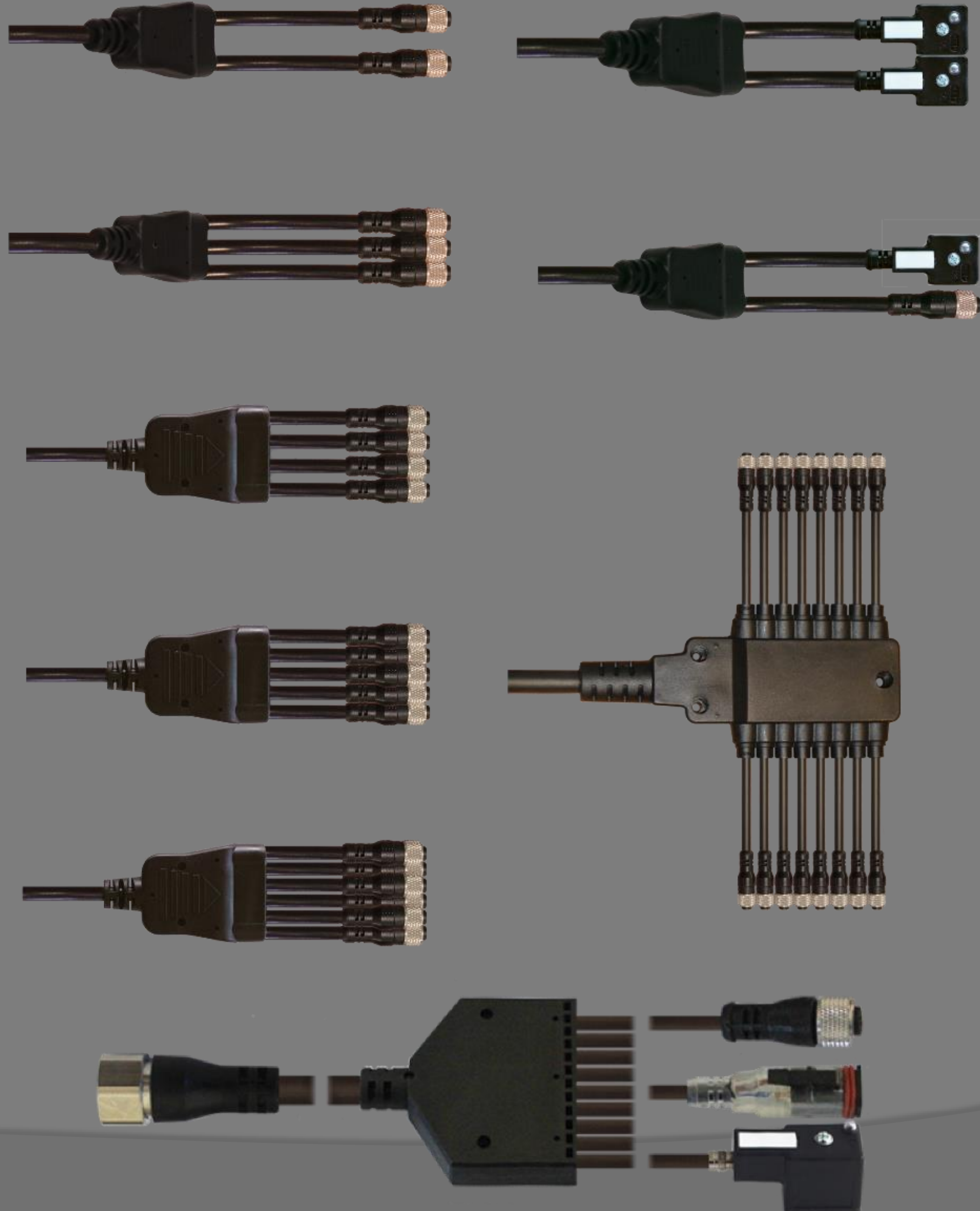


BM1
(11MM)

MULTI-HEAD PRODUCTS

SPLITTERS

(AVAILABLE IN MANY SOLUTIONS AND CONNECTORS TYPE)



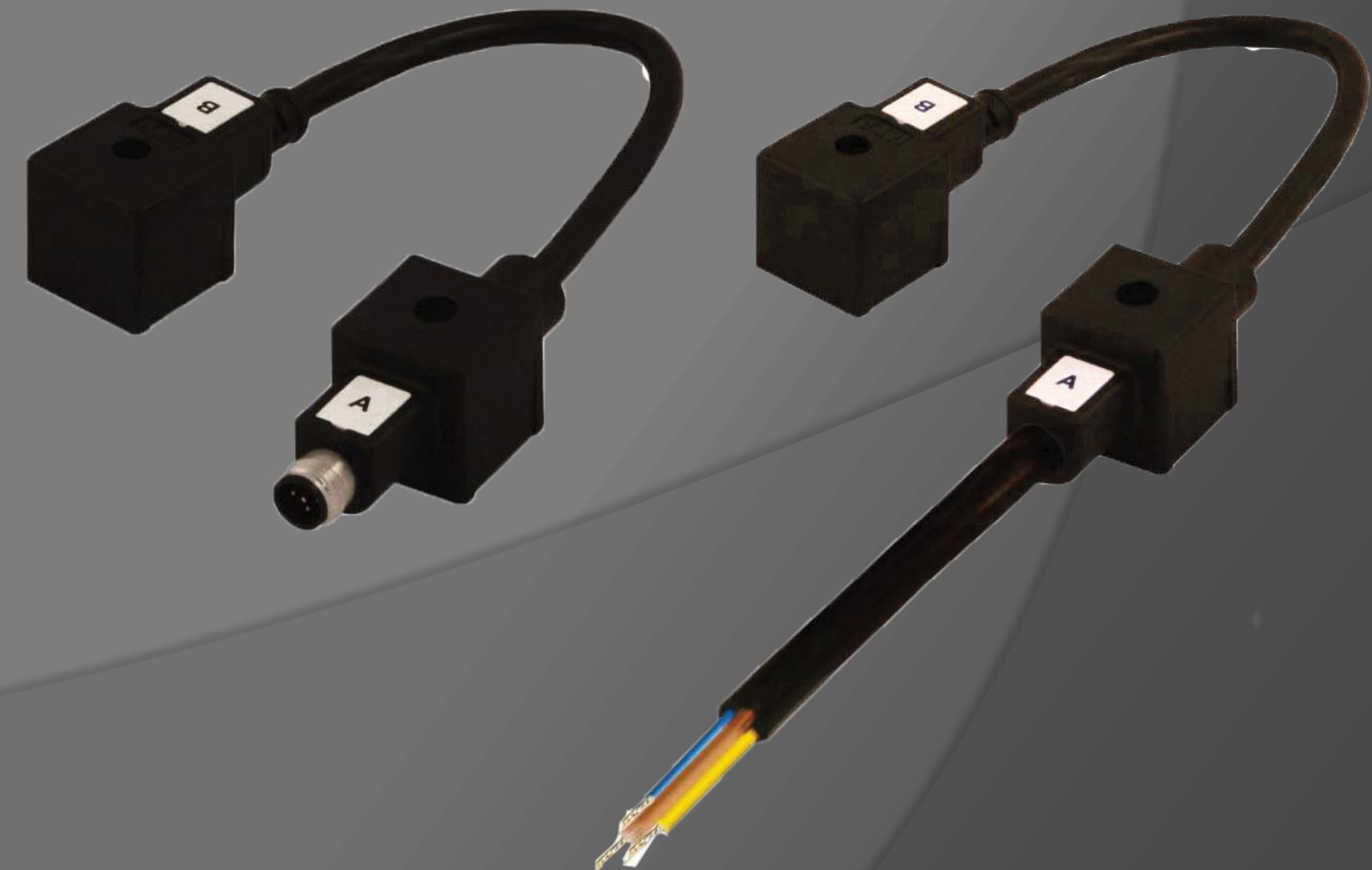
DIN IN CHAIN

***(CG1 SERIES)
(CM1 SERIES)***



DIN IN LINE

(CG1 SERIES)



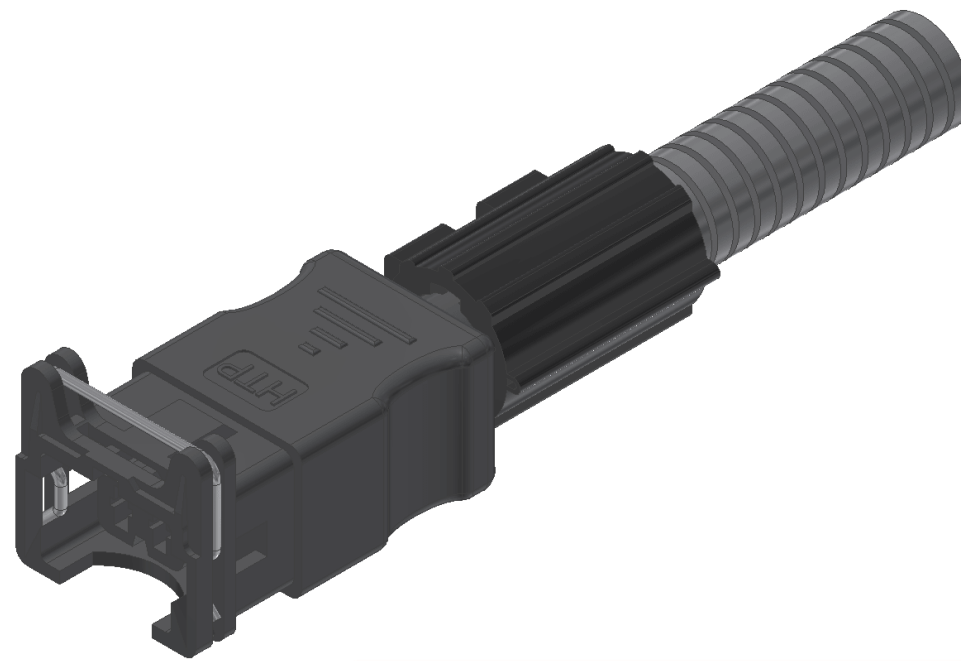
AUTOMOTIVE CONNECTORS INTERCHANGEABLE WITH:



METRIPACK CONNECTORS



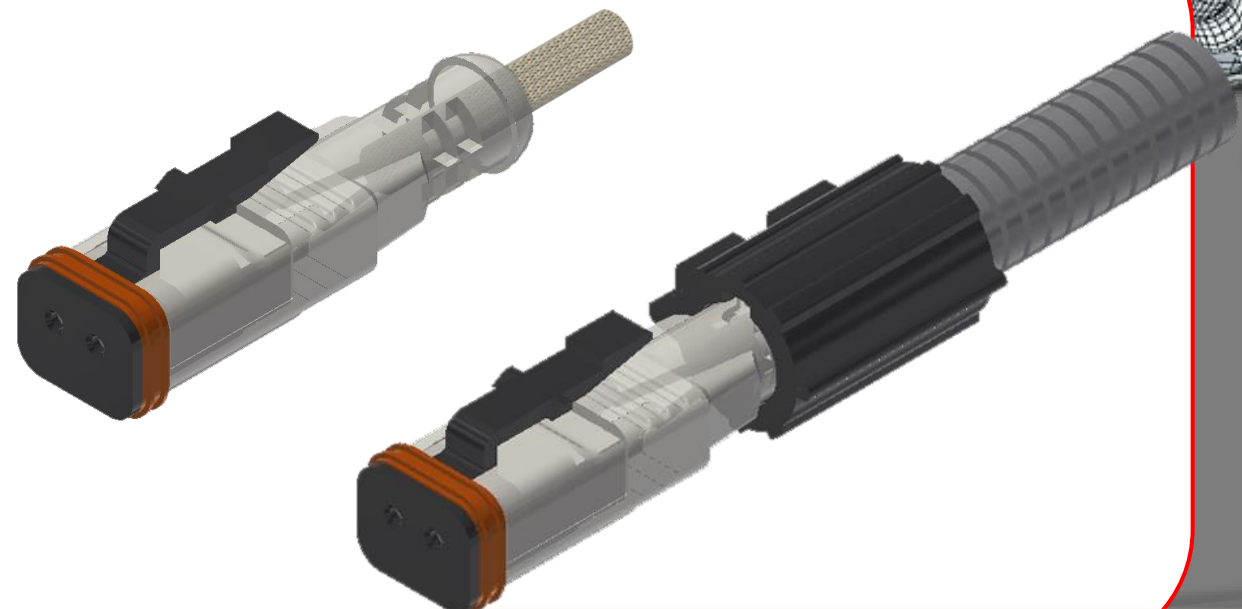
M12 ADAPTORS



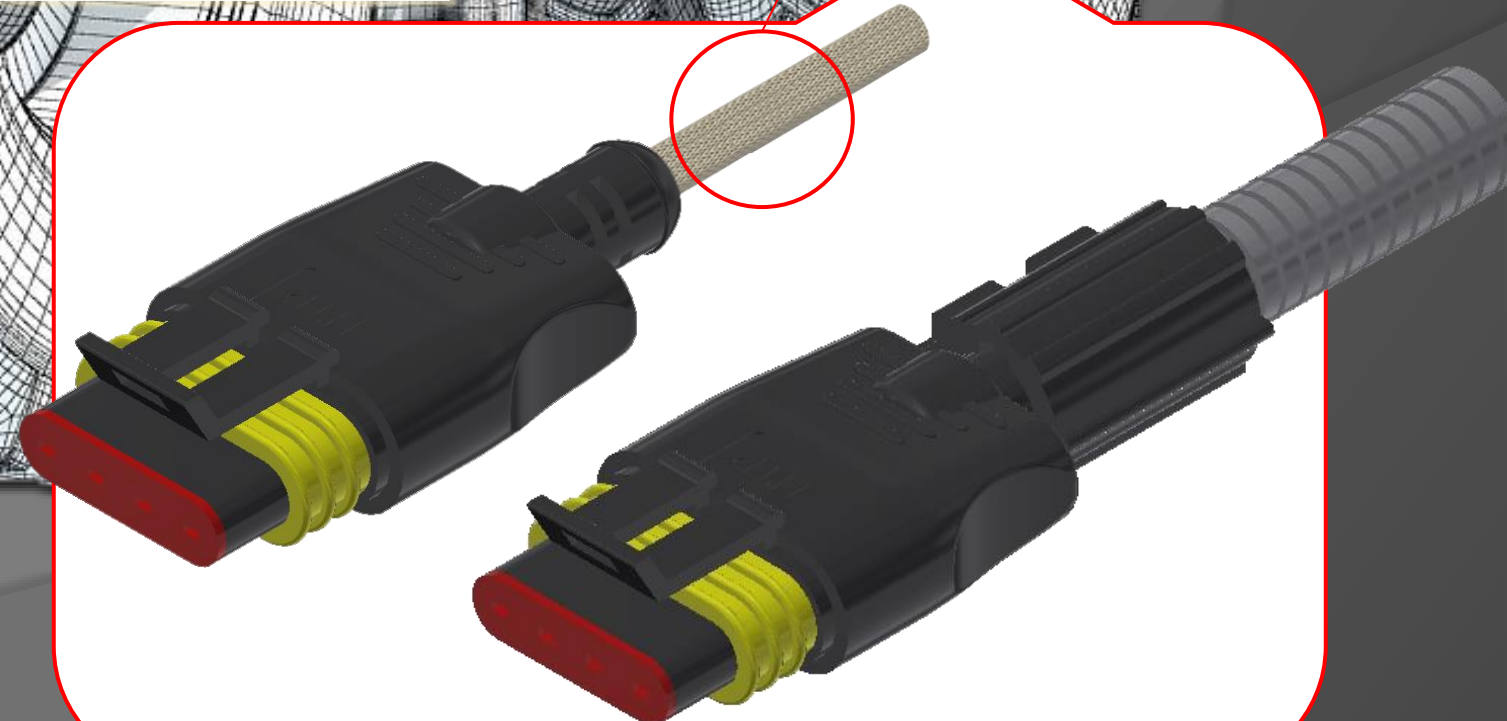
JUNIOR TIMER CONNECTOR



EXPANDABLE SLEEVE



DEUTSCH CONNECTORS



SUPERSEAL CONNECTORS

D-SUB STRAIGHT/ANGLED
WITH MOULDED CABLE
STANDARD AND HIGH DENSITY



9 POLES



44 POLES HIGH DENSITY



- 15 POLES
- 26 POLES HIGH DENSITY



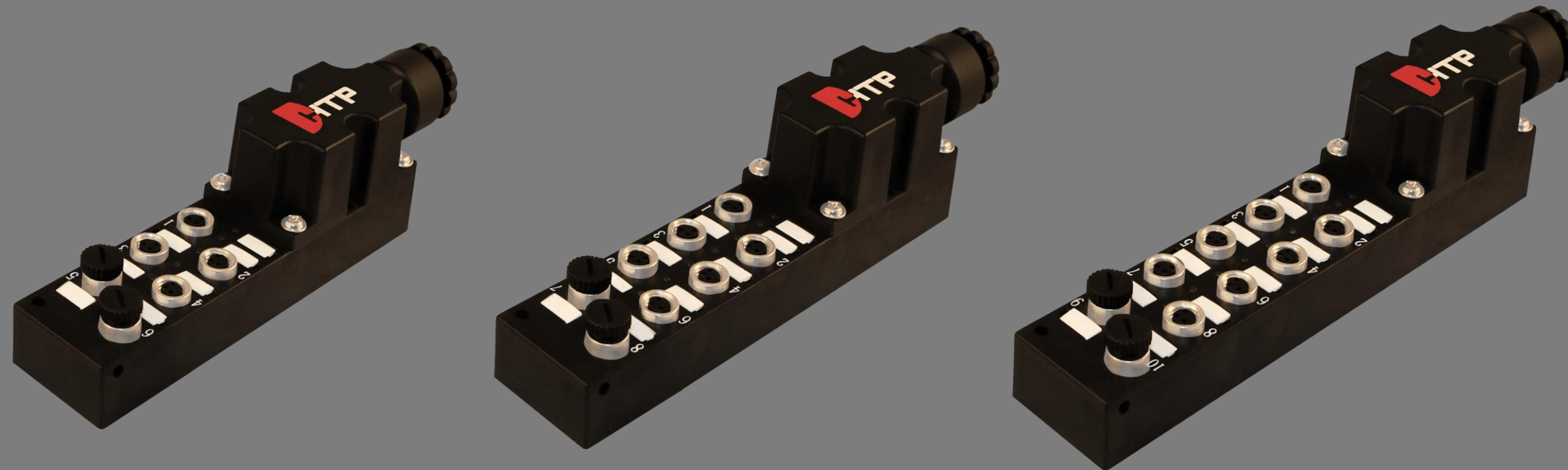
25 POLES



- 25 POLES
- 44 POLES HIGH DENSITY

DISTRIBUTION BOXES

MB DISTRIBUTION BOX



WITH TERMINAL CONTACTS



WITH MOULDED CABLE



WITH M12 CONNECTION

DISTRIBUTION BOXES

M12 DISTRIBUTION BOXES



4 POSITIONS

6 POSITIONS

8 POSITIONS

7/8" CONNECTORS

7/8" CONNECTORS



**FIELD
ATTACHABLE**



TO PANEL



**MOULDED
CABLE**



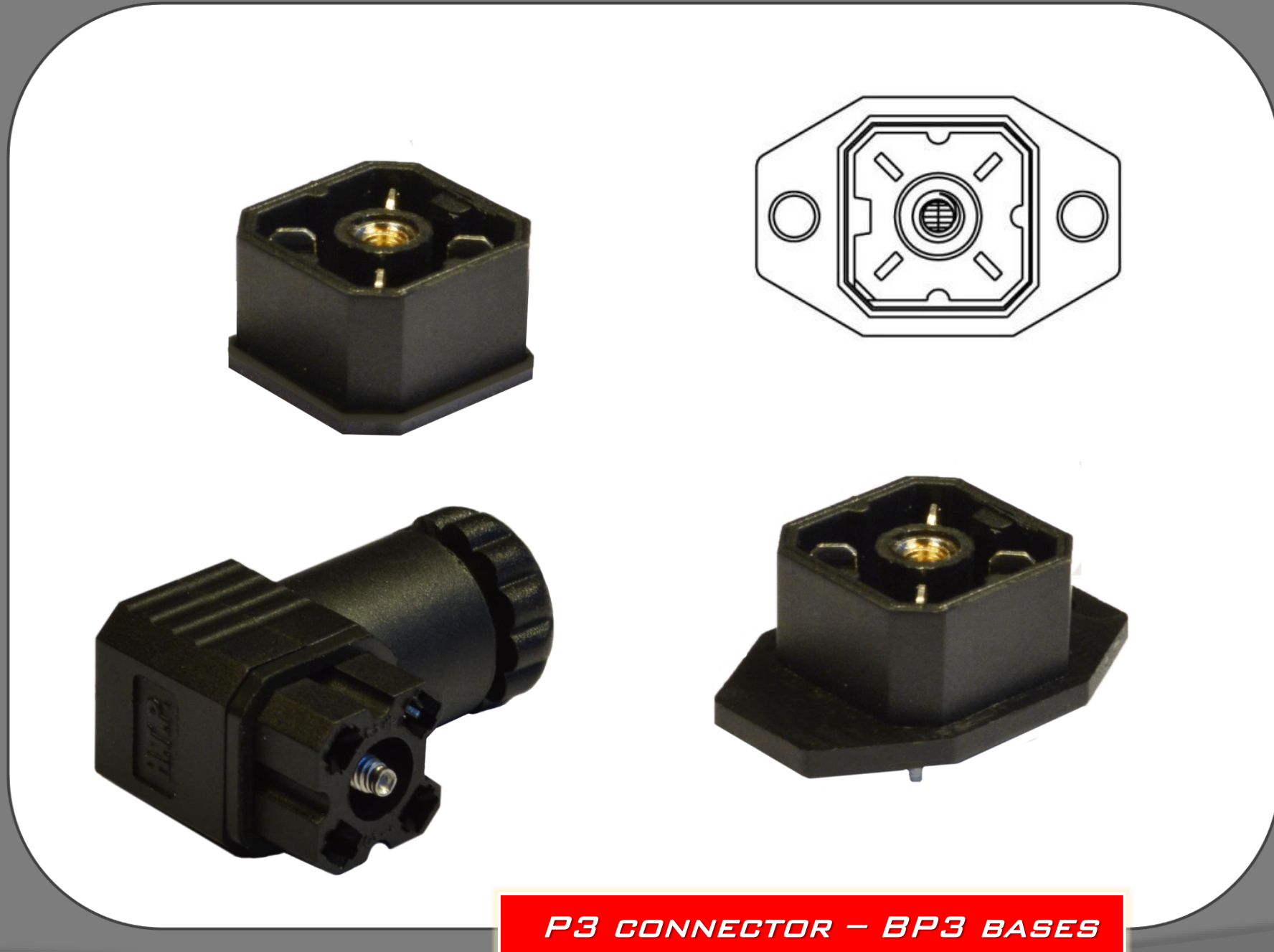
T CONNECTORS

INDUSTRIAL CONNECTORS

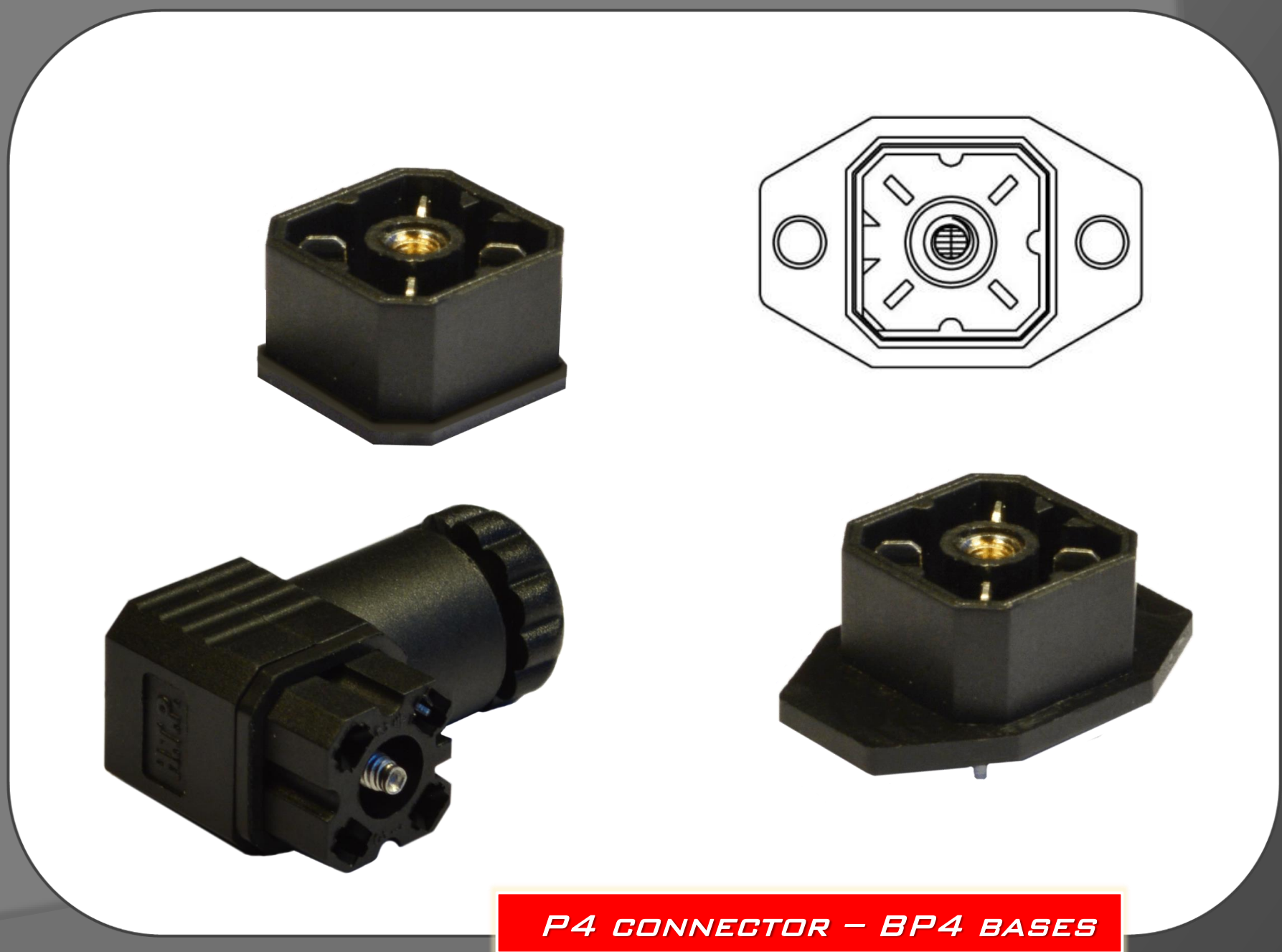
- 15MM X 15MM WITH 4 DIAGONAL PINS
- MALE AND FEMALE CONTACTS
- 3 POLES + EARTH
- STANDARD: DIN VDE 0627 / IEC 61984
- SOLDERED CONTACTS
- BASES ALSO AVAILABLE WITH FLANGE AND PROTECTION CAP



BP3-BP4 PROTECTION CAP



P3 CONNECTOR - BP3 BASES



P4 CONNECTOR - BP4 BASES

TIMER

DIGITAL

- *THE HTP IN-LINE TIMER IS DESIGNED TO CYCLE POWER ON AND OFF, TO EITHER PNEUMATIC OR HYDRAULIC SOLENOID VALVES*
- *TYPICAL APPLICATIONS INCLUDE DRAINING WATER FROM COMPRESSOR TANKS, PERIODIC PRODUCT SAMPLING, AND CONTROL OF LUBRICATING OR IRRIGATION SYSTEMS*
- *PLUGS IN-LINE BETWEEN MALE & FEMALE CONNECTORS*
- *WORKS WITH ANY VOLTAGE FROM 24 TO 240 VAC/DC*
- *ON – 0.5 TO 99 SEC OFF – 0.5 TO 99 MIN*
- *FOR PNEUMATIC OR HYDRAULIC SOLENOID VALVES*
- *ON AND OFF LED STATUS INDICATION*
- *MANUAL PUSH BUTTON OVERRIDE*



INDUSTRIAL LED LIGHTING



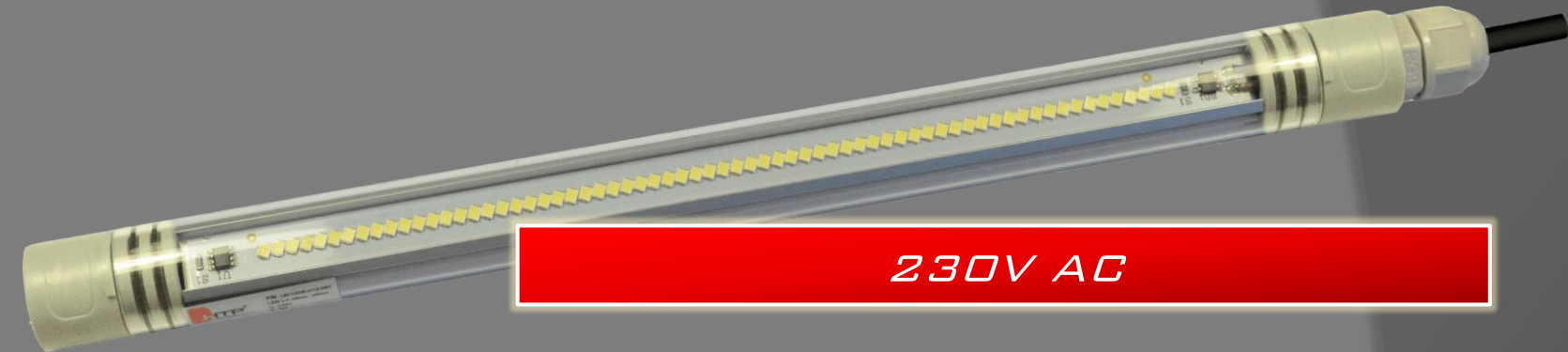
IP 67



IP 67 - BOROSILICATE GLASS



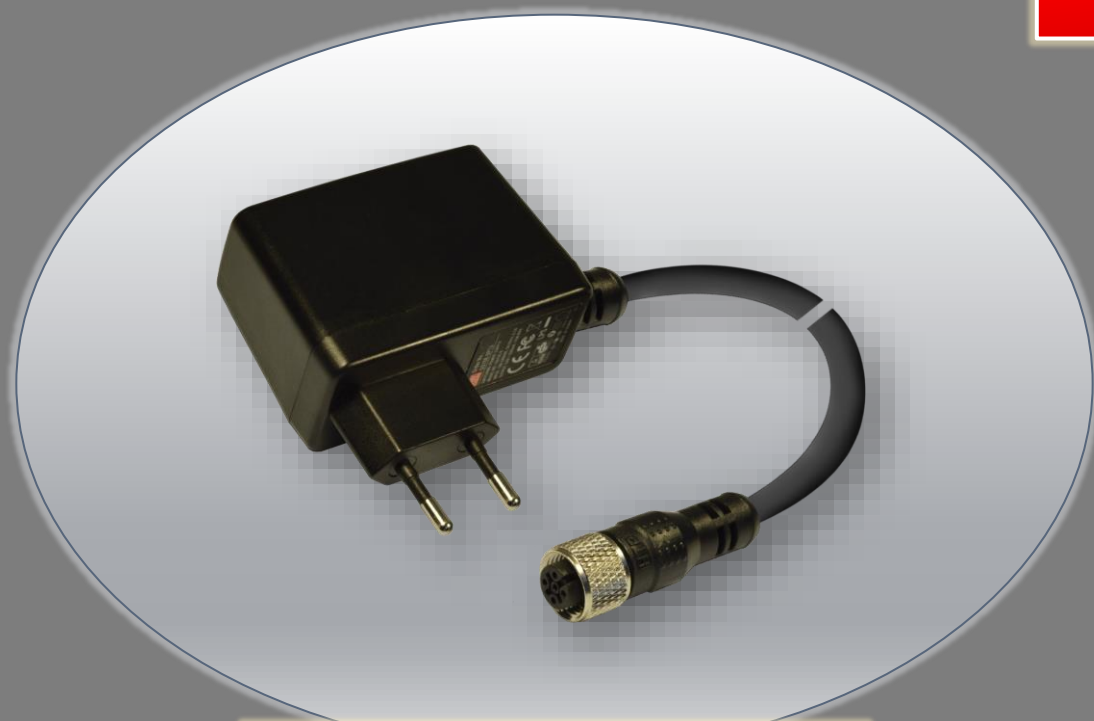
IP 54



230V AC



IP 40



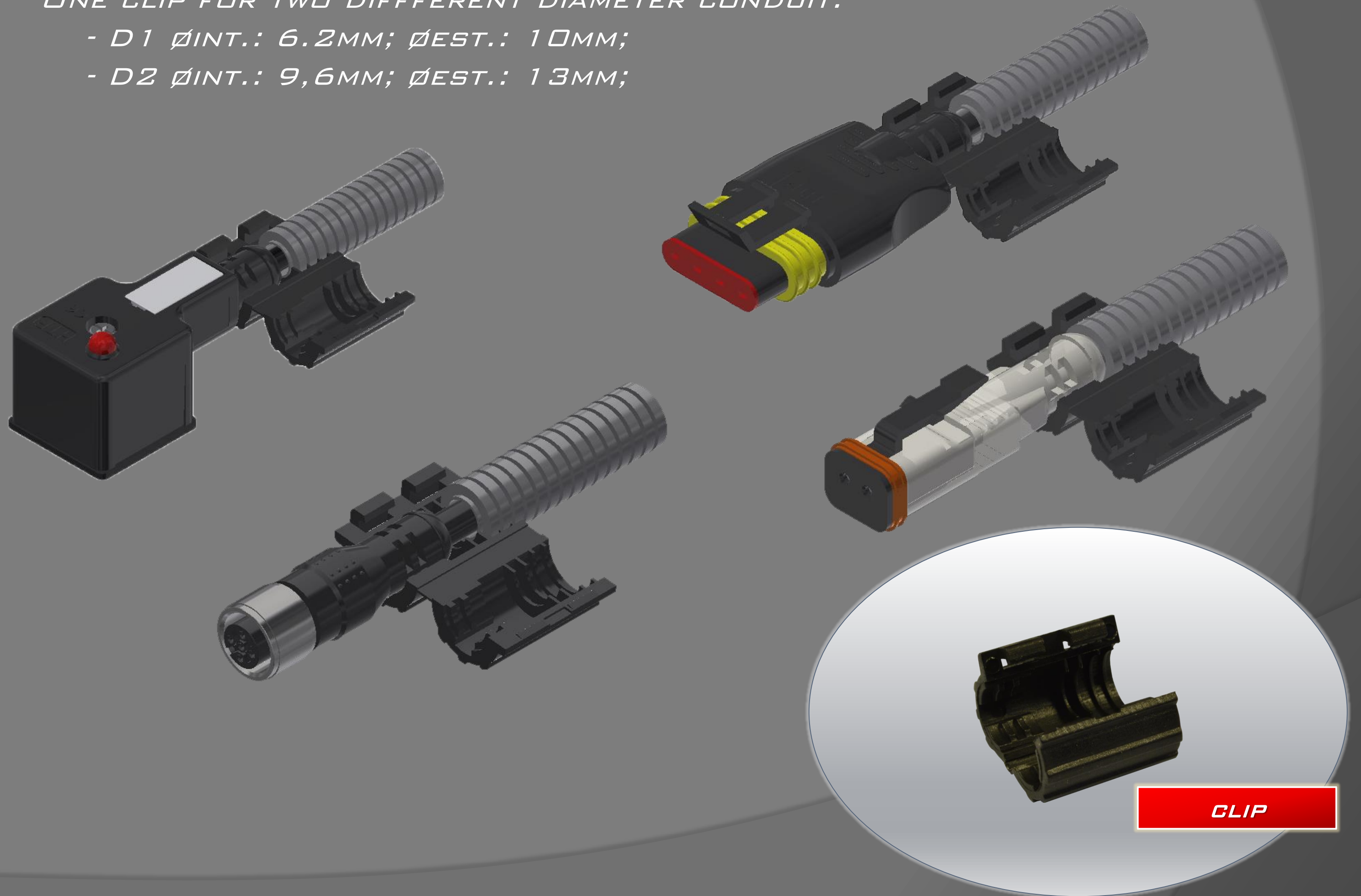
POWER SUPPLY 24V



IP 67 \varnothing 50/ \varnothing 60MM

FIXING CLIP FOR CONDUIT

- *DESIGNED TO FIX THE CONDUIT TO M12, DIN43650 AND AUTOMOTIVE CONNECTORS*
- *NYLON PA66*
- *ONE CLIP FOR TWO DIFFERENT DIAMETER CONDUIT:*
 - *D1 ØINT.: 6.2MM; ØEST.: 10MM;*
 - *D2 ØINT.: 9,6MM; ØEST.: 13MM;*



MAGNETIC SENSORS

